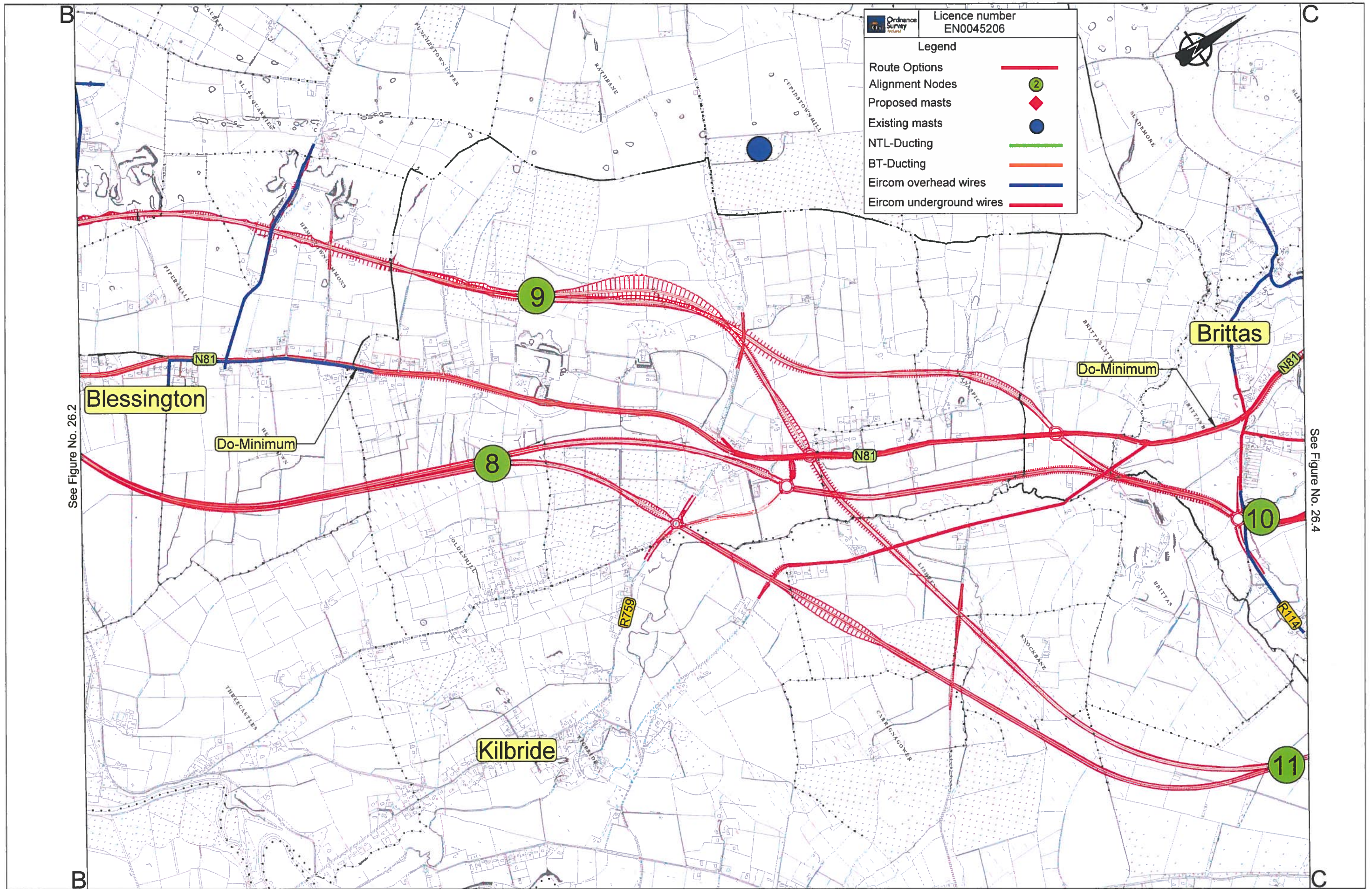


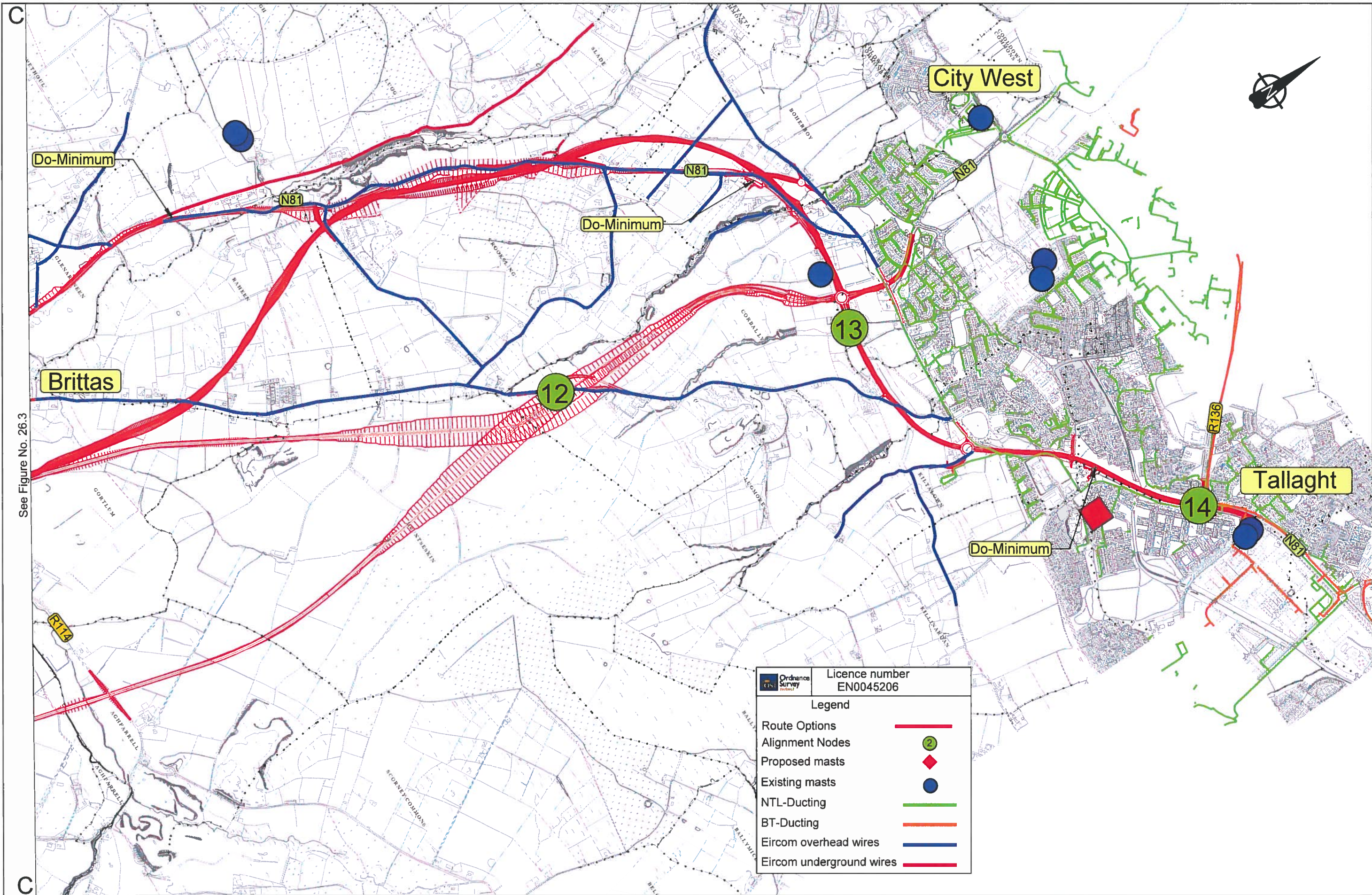
See Figure No. 26.2






See Figure No. 26.2









See Figure No. 26.4

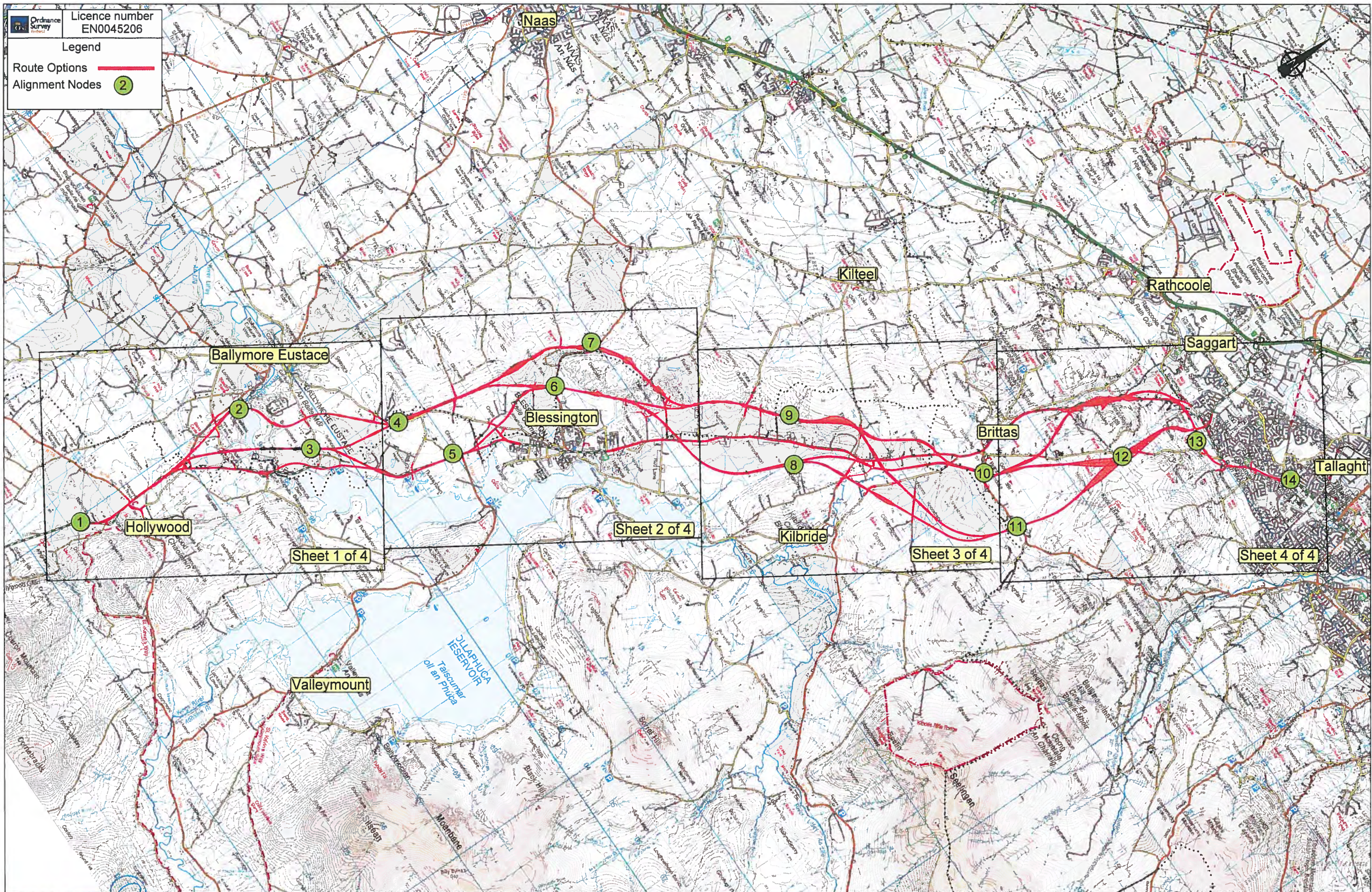



See Figure No. 26.3










 Licence number  
 EN0045206

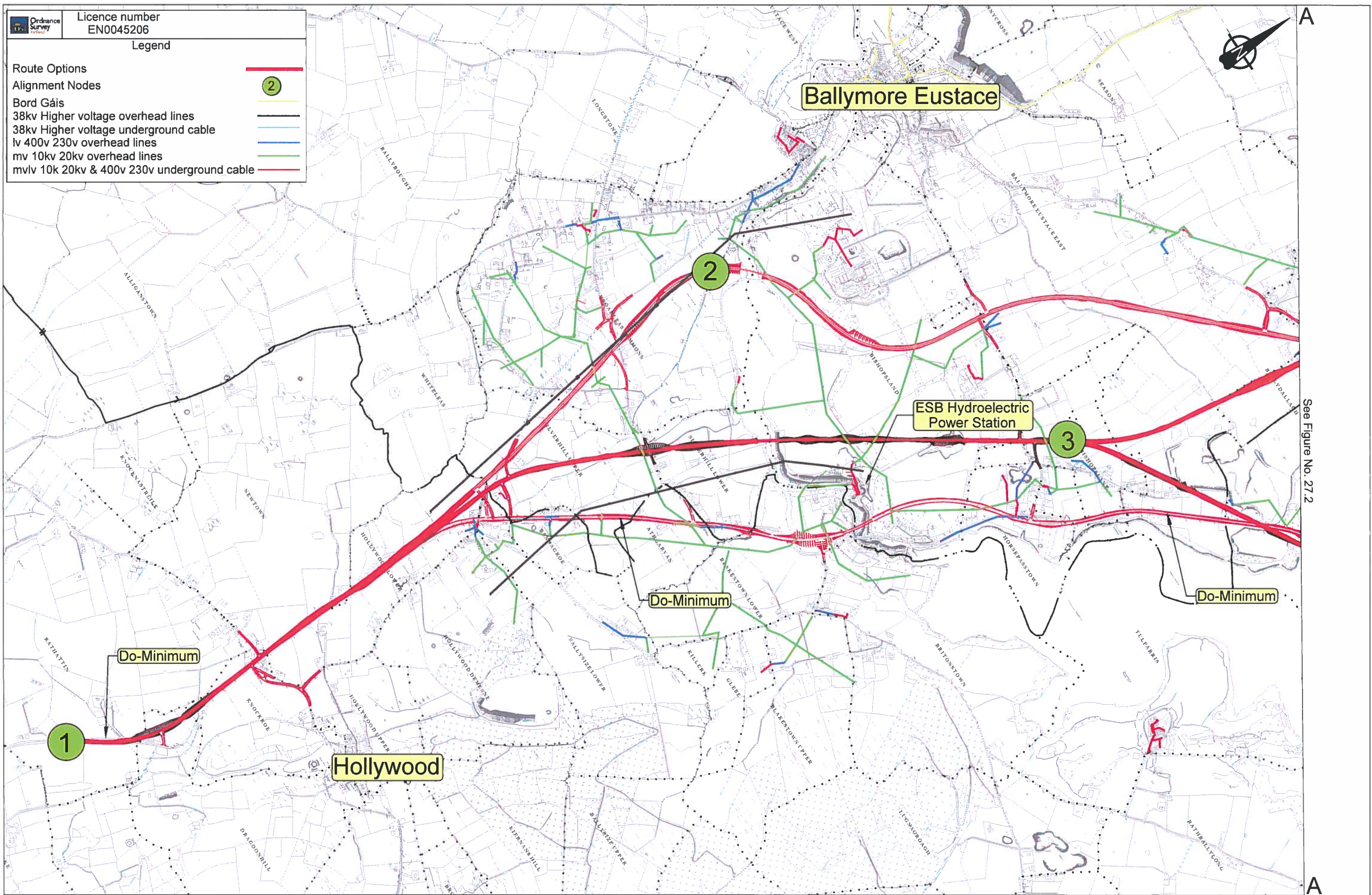
Legend

- Route Options 
- Alignment Nodes 
- Proposed masts 
- Existing masts 
- NTL-Ducting 
- BT-Ducting 
- Eircom overhead wires 
- Eircom underground wires 



 Licence number  
 EN0045206  
 Legend

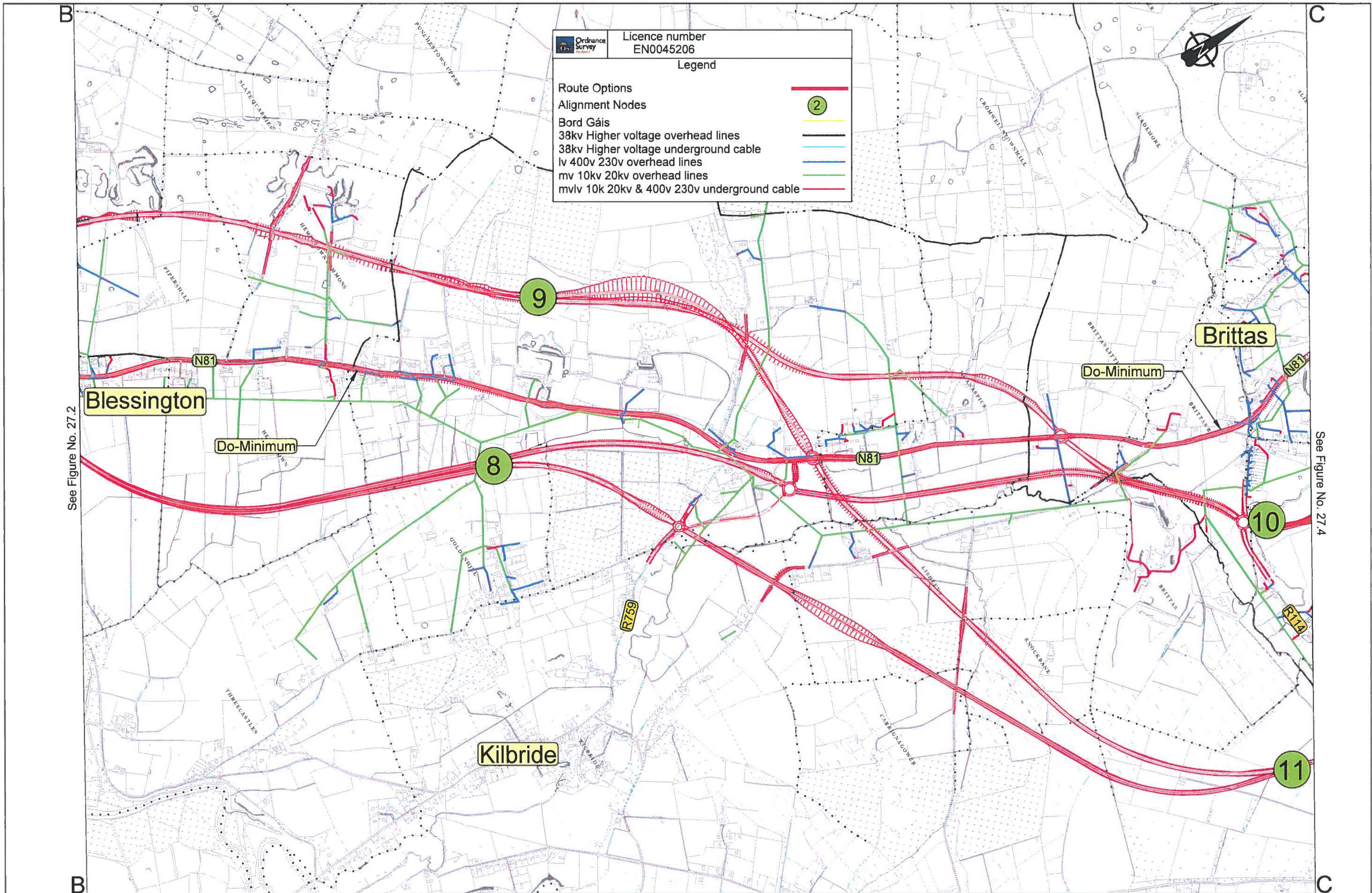
Route Options	
Alignment Nodes	
Bord Gáis	
38kv Higher voltage overhead lines	
38kv Higher voltage underground cable	
lv 400v 230v overhead lines	
mv 10kv 20kv overhead lines	
mvlv 10k 20kv & 400v 230v underground cable	



See Figure No. 27.2

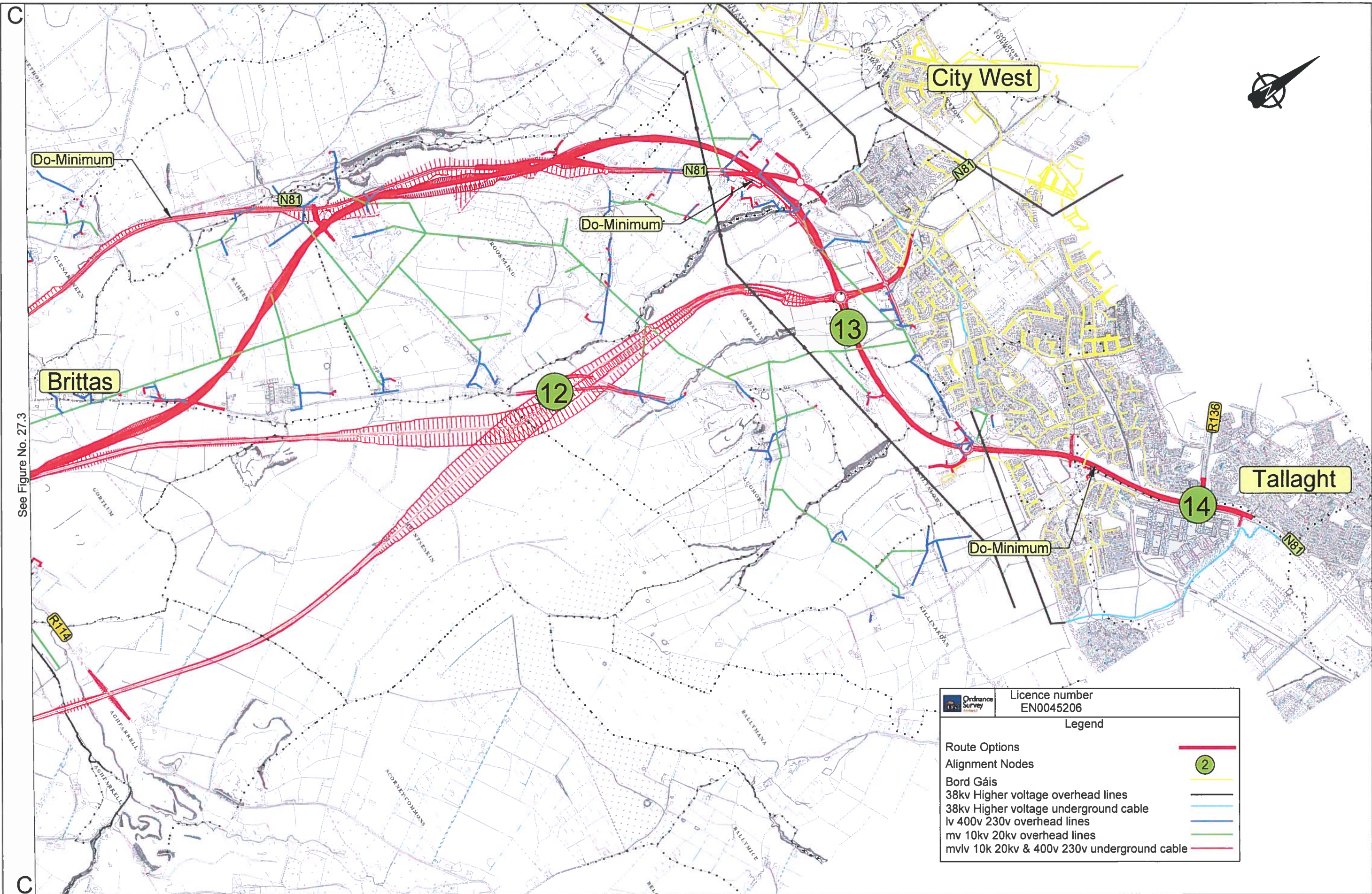






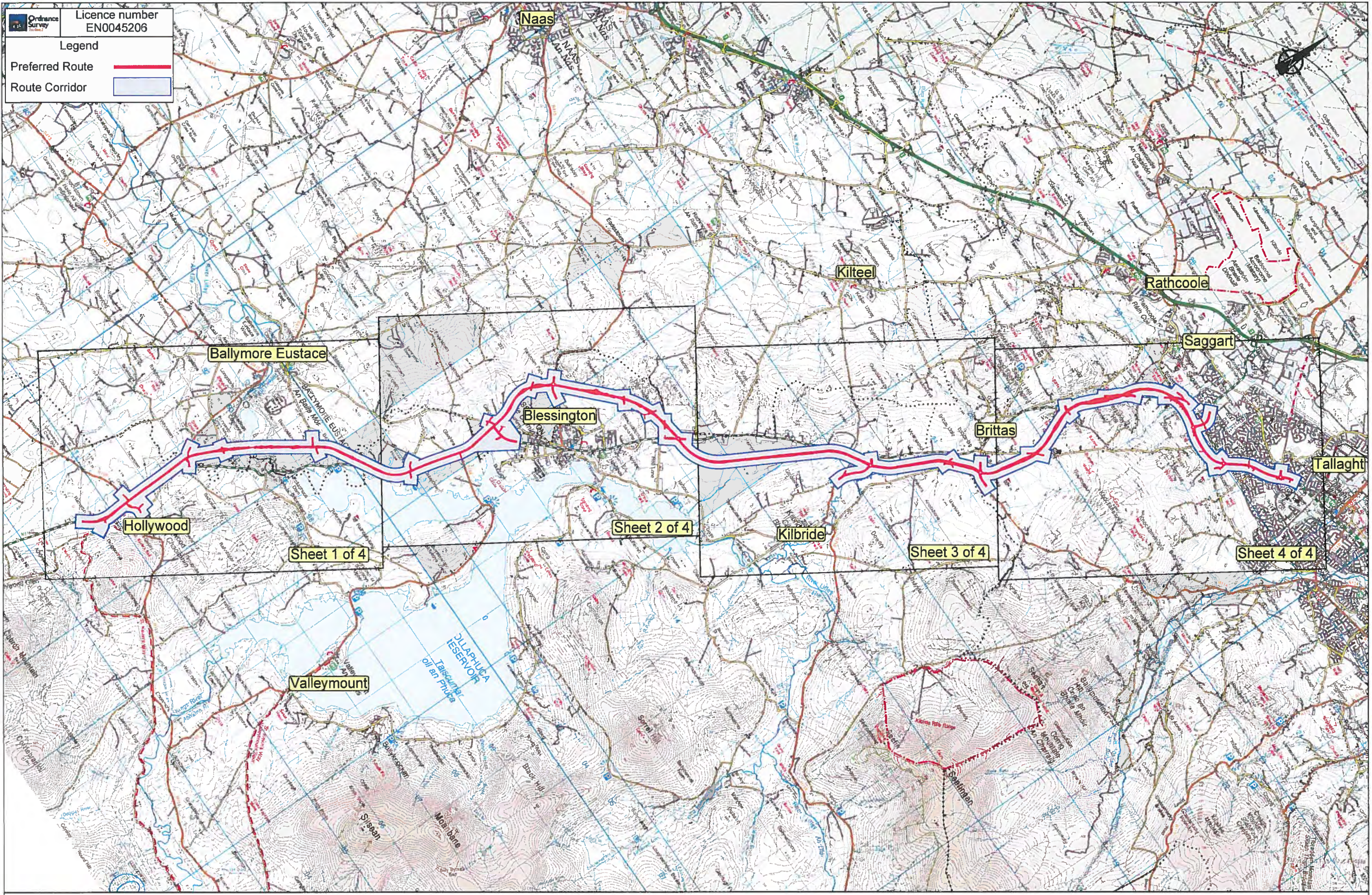
See Figure No. 27.2


See Figure No. 27.4



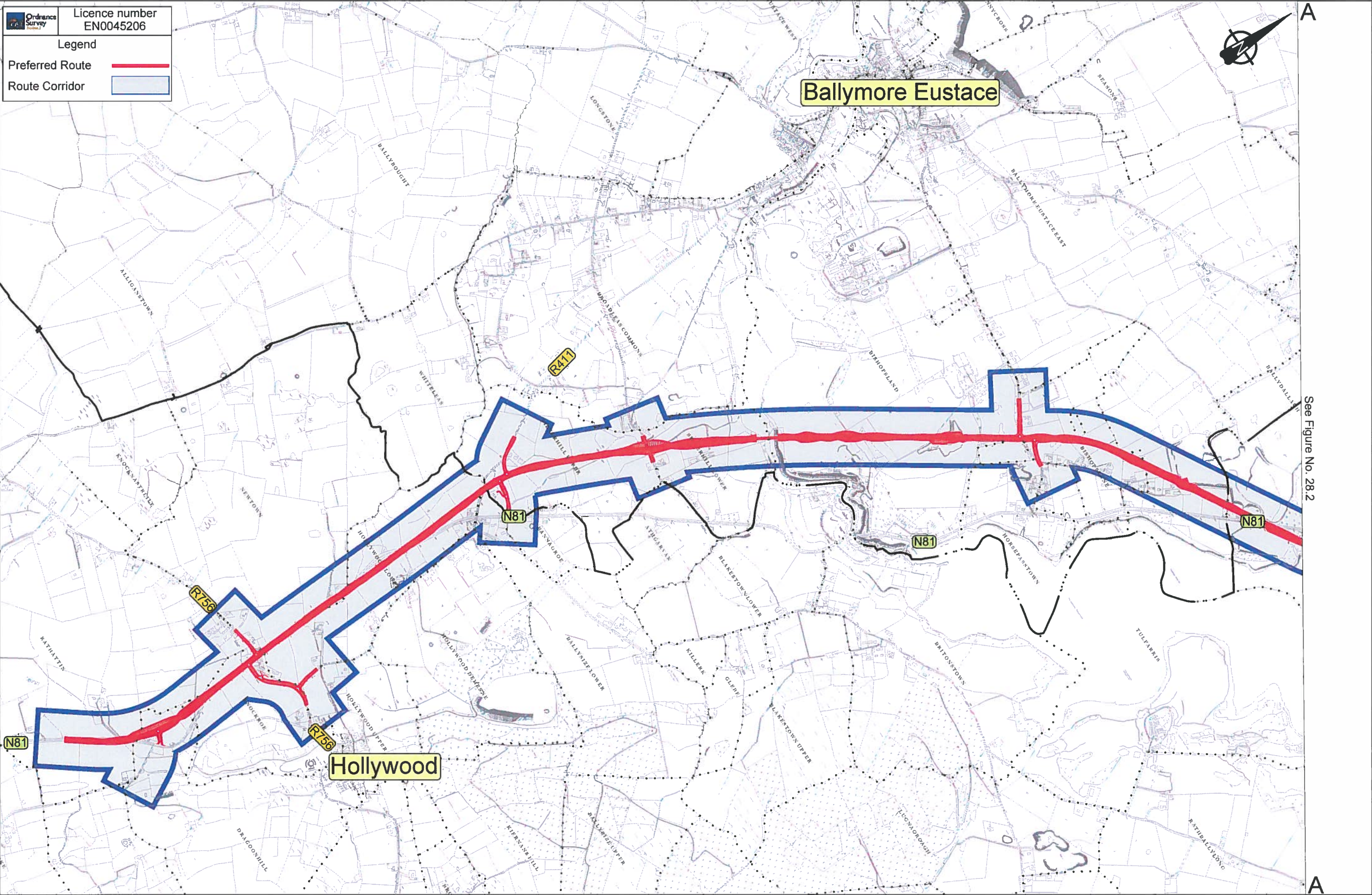
See Figure No. 27.3

	Licence number EN0045206
Legend	
Route Options	
Alignment Nodes	
Bord Gáis	
38kv Higher voltage overhead lines	
38kv Higher voltage underground cable	
lv 400v 230v overhead lines	
mv 10kv 20kv overhead lines	
mvlv 10k 20kv & 400v 230v underground cable	



 Licence number  
 EN0045206

**Legend**  
 Preferred Route —  
 Route Corridor



See Figure No. 28.2



**N81 Hollywood Cross to Tallaght Road Improvement Scheme**

**WORK IN PROGRESS  
SUBJECT TO CHANGE**


Figure 28.1  
Preferred Route Corridor  
Sheet 1 of 4


A

B

Ordnance Survey Licence number EN0045206

Legend

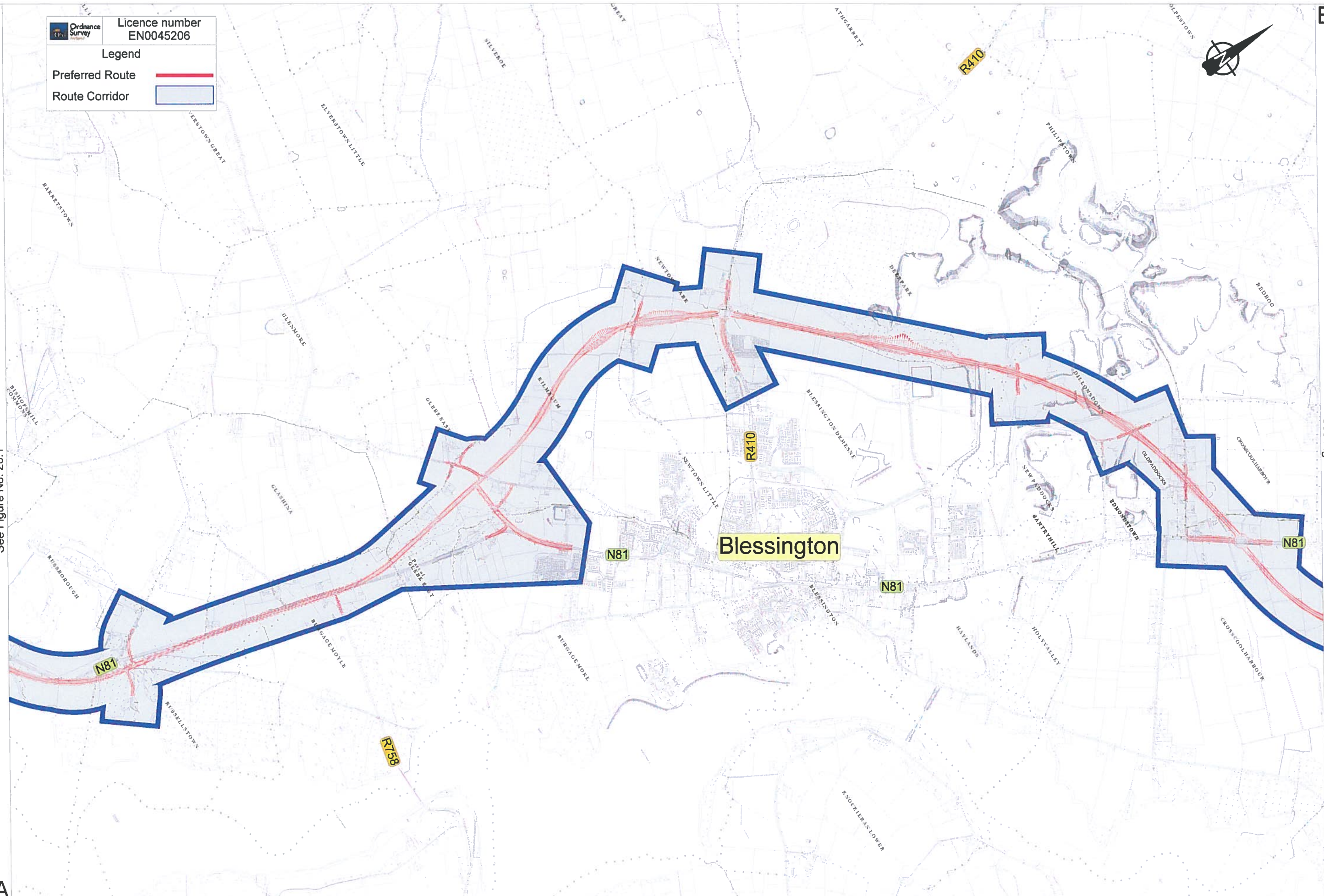
Preferred Route 

Route Corridor 



See Figure No. 28.1

See Figure No. 28.3



A

B



N81 Hollywood Cross to Tallaght Road Improvement Scheme

WORK IN PROGRESS  
SUBJECT TO CHANGE


Figure 28.2  
Preferred Route Corridor  
Sheet 2 of 4




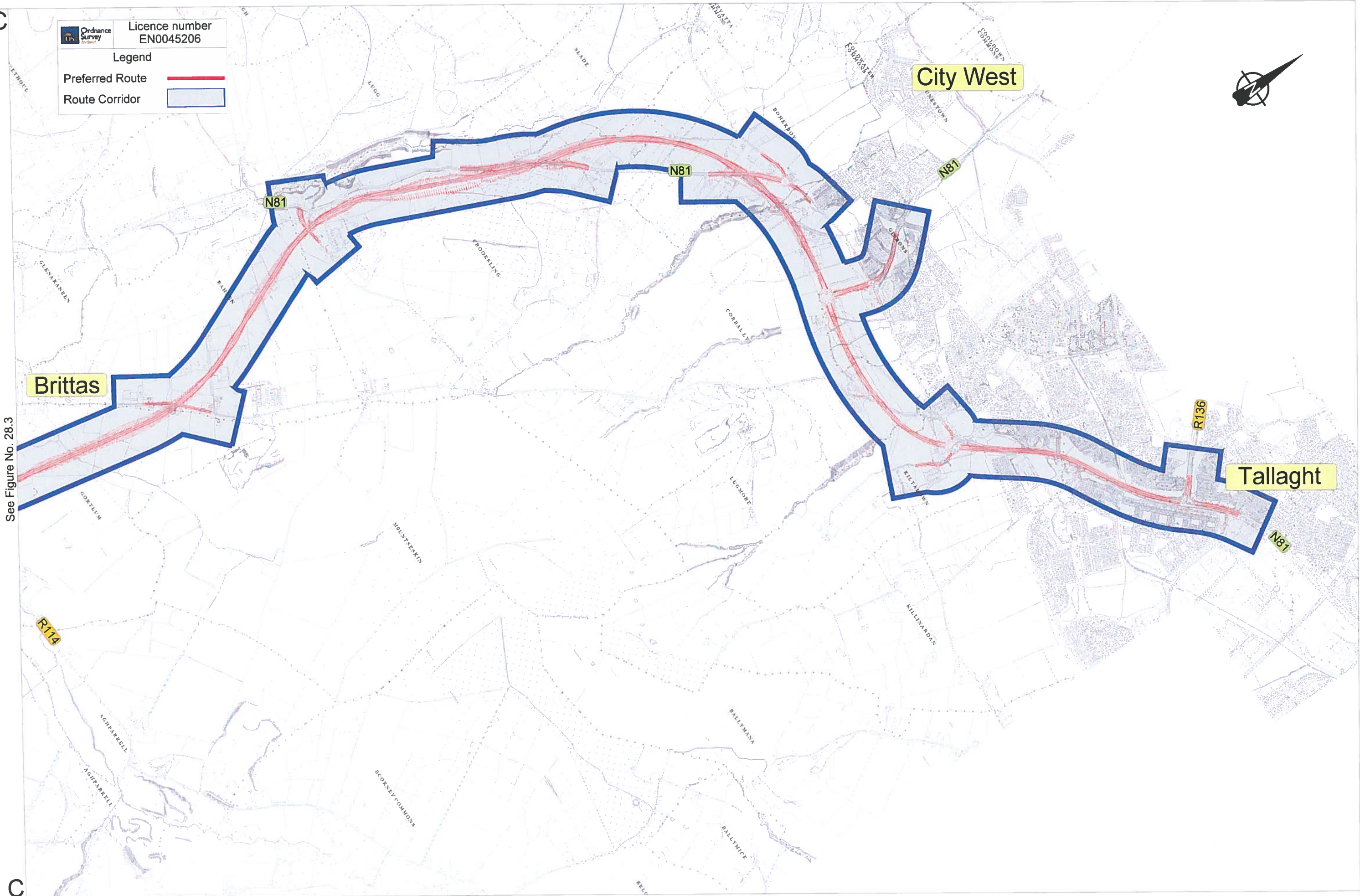
C

Ordnance Survey  
Licence number  
EN0045206

Legend

Preferred Route 

Route Corridor 



See Figure No. 28.3

C



N81 Hollywood Cross to Tallaght  
Road Improvement Scheme

**WORK IN PROGRESS  
SUBJECT TO CHANGE**

Figure 28.4  
Preferred Route Corridor  
Sheet 4 of 4